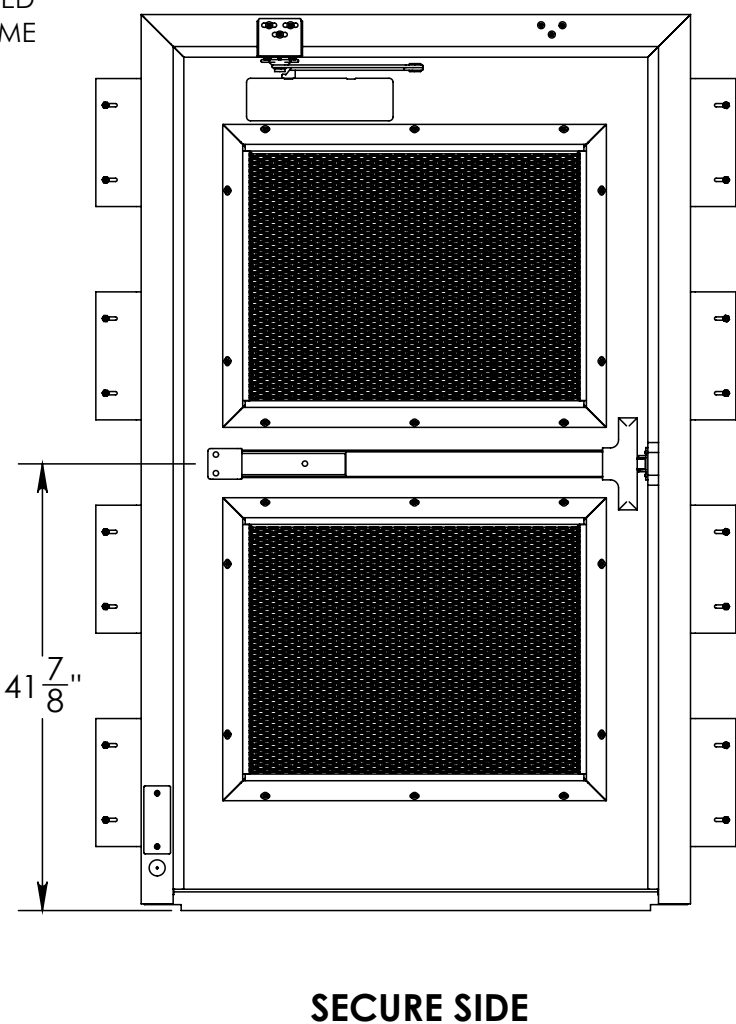
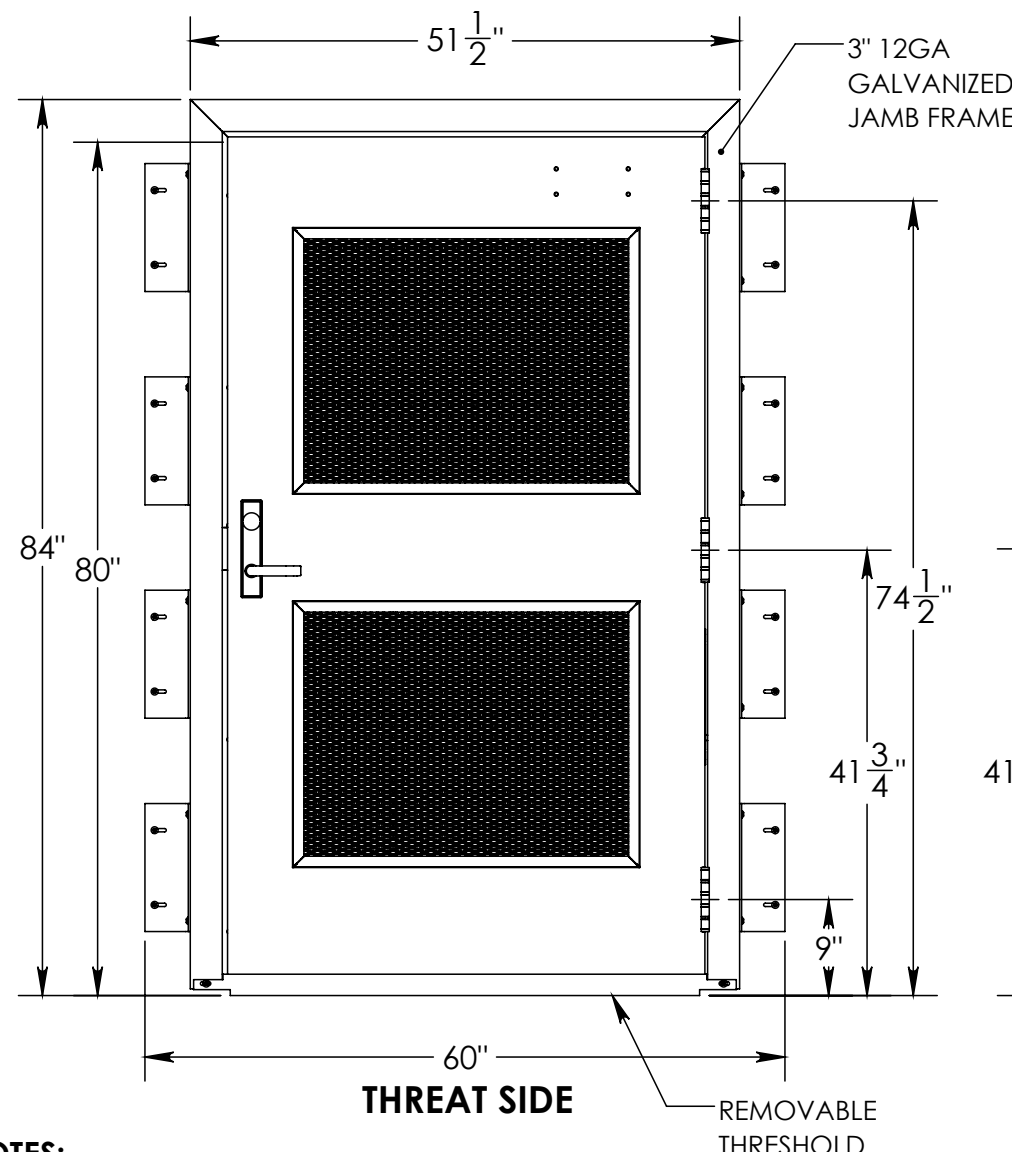
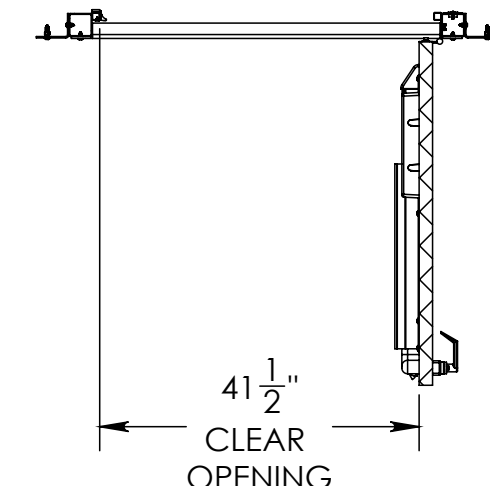
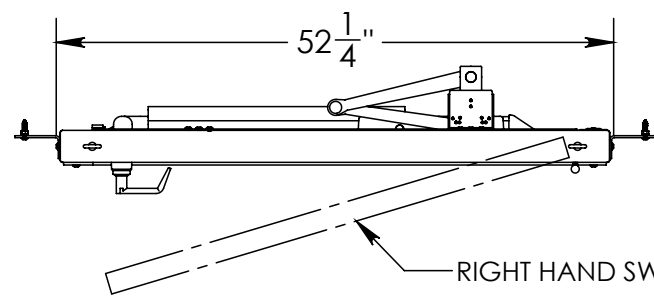
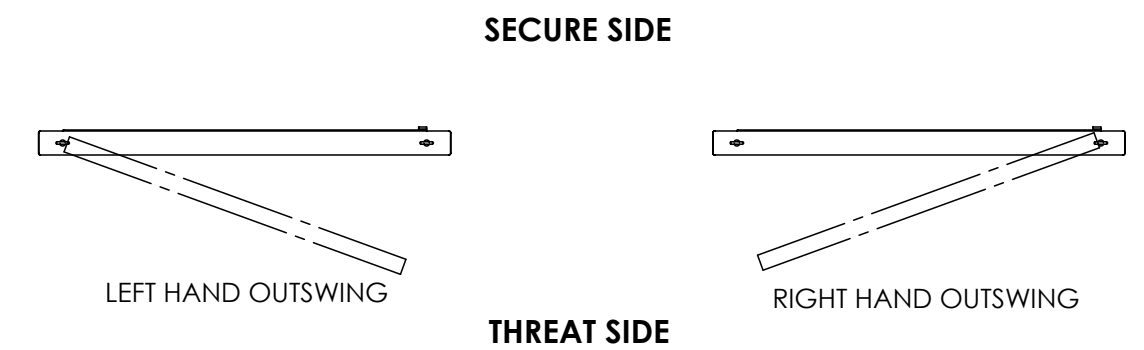


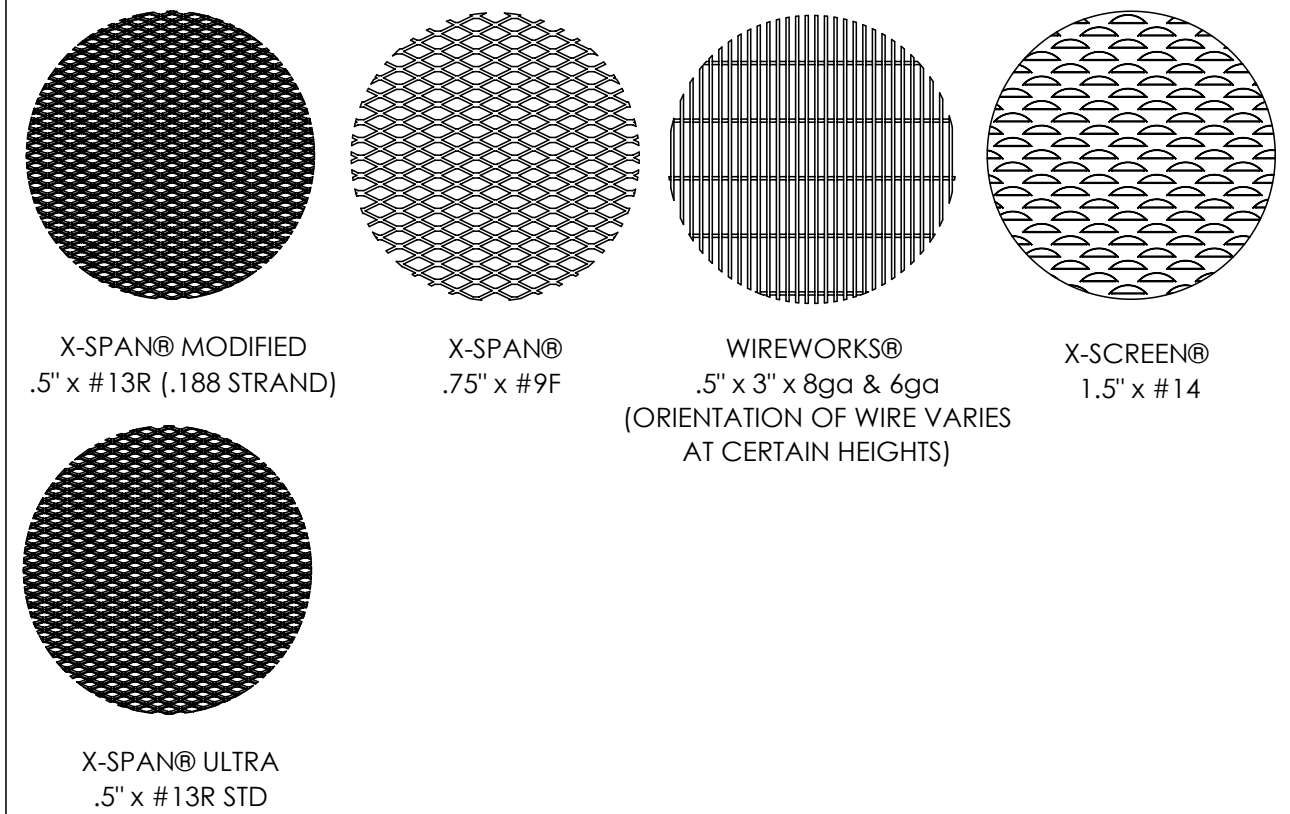
REV	DESCRIPTION	DATE	ENGINEER
-----	-------------	------	----------



GATE SWING OPTIONS:



INFILL OPTIONS:



- NOTES:**
- GATE SHOWN WITH RIGHT HAND OUTSWING
 - 3" 12GA GALVANIZED JAMB (STANDARD)
 - 1-3/4" 14GA GALVANIZED GATE (STANDARD)
 - X-SPAN@ MODIFIED INFILL
 - VON DUPRIN 99 SERIES EXIT DEVICE
 - VON DUPRIN E996L ELECTRIFIED TRIM HANDLE
 - LCN 4040XPSRI PARALLEL ARM CLOSER
 - HEAVY DUTY MCKINNEY HINGE (X3) (STANDARD)

<p>NOTICE TO PERSONS RECEIVING THIS DRAWING AND/OR TECHNICAL INFORMATION</p> <p>Ameristar Perimeter Security USA Inc claims proprietary rights to the material disclosed herein. This drawing and/or technical information is issued in confidence for engineering information only and may not be reproduced or used to manufacture anything shown or referred to hereon without direct written permission from Ameristar Perimeter Security USA Inc to the user. This drawing and/or technical information is the property of Ameristar Perimeter Security USA Inc and is loaned for mutual assistance to be returned when its purpose has been served.</p>	<p>UNLESS OTHERWISE SPECIFIED TOLERANCES</p> <p>X.X ±.06</p> <p>X.XX ±.03</p> <p>X.XXX ±.02</p> <p>ANGLES ±0.5°</p> <p>FRACTIONS ± 1/8</p> <p>SURFACE FINISH 63/</p>	<p>DRAWING COMPLIES WITH ASME Y14.5M - 1994</p> <p>INCH</p> <p>MM</p>	<p>MATERIAL SEE BOM</p>	<p>MATRIX ALPHA EXODUS GATE</p>		
	<p>THIRD ANGLE PROJECTION</p>	<p>HEAT TREATMENT</p>	<p>DATE CREATED 12/6/2019</p>	<p>DRAWN BY nathan</p>	<p>DESIGNED BY nathan</p>	
	<p>ASSA ABLOY</p> <p>Ameristar Perimeter Security USA Inc Tulsa</p>	<p>SURFACE/FINISH</p>	<p>DOCUMENT ID</p>	<p>SCALE 1:18</p>	<p>SIZE B</p>	<p>DRAWING NUMBER (ALT ID)</p> <p>MATRIX ALPHA EXODUS GATE</p>
	<p>CONFIGURATION Default</p>	<p>LEGACY ID</p>	<p>SHEET 1 OF 2</p>			

HARDWARE OPTIONS:

SET 1:
 DETEX V40 EXIT DEVICE
 SECURITECH ELECTRIFIED TRIM HANDLE
 NORTON 7500 PARALLEL ARM CLOSER

SET 2:
 DETEX V40 EXIT DEVICE
 DETEX NARROW STYLE TRIM HANDLE
 NORTON 7500 PARALLEL ARM CLOSER

SET 3:
 DETEX V40 EXIT DEVICE
 ROCKWOOD VRT16 PULL HANDLE
 NORTON 7500 PARALLEL ARM CLOSER
 FOR ELECTRIC LATCH RETRACTION
 ADD "EL", EXAMPLE: 3EL

SET 4:
 VON DUPRIN 99 SERIES EXIT DEVICE
 ROCKWOOD VRT16 PULL HANDLE
 LCN 4040XPSRI PARALLEL ARM CLOSER
 FOR CALIFORNIA BUILDING CODES (CBC)
 ADD "C", EXAMPLE: 4C
 FOR QUIET ELECTRIC RETRACTION
 ADD "EL", EXAMPLE: 4EL, 4CEL

SET 5:
 VON DUPRIN 99 SERIES EXIT DEVICE
 VON DUPRIN 996 TRIM HANDLE
 LCN 4040XPSRI PARALLEL ARM CLOSER
 FOR CALIFORNIA BUILDING CODES (CBC)
 ADD "C", EXAMPLE: 5C

SET 6:
 VON DUPRIN 99 SERIES EXIT DEVICE
 VON DUPRIN E996L ELECTRIFIED TRIM HANDLE
 LCN 4040XPSRI PARALLEL ARM CLOSER
 FOR CALIFORNIA BUILDING CODES (CBC)
 ADD "C", EXAMPLE: 6C
 FOR MICRO SWITCH, ADD "RX", EXAMPLE "6RX"

SET 7:
 DETEX V40 EXIT DEVICE
 SIMPLEX DIGITAL LOCK WITH TRIM HANDLE
 NORTON 7500 PARALLEL ARM CLOSER

SET 7V:
 VON DUPRIN 99 SERIES EXIT DEVICE
 SIMPLEX DIGITAL LOCK WITH TRIM HANDLE
 LCN 4040XPSRI PARALLEL ARM CLOSER

SET 8:
 SARGENT 8200 MORTISE LOCK
 NORTON 7500 PARALLEL ARM CLOSER
 FOR ELECTRIFIED MORTISE, ADD "E", EXAMPLE "8E"

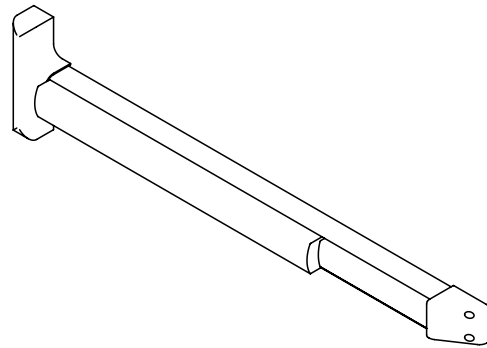
SET 9:
 DETEX V40 EXIT DEVICE WITH ALARM
 DETEX NARROW STYLE TRIM HANDLE
 NORTON 7500 PARALLEL ARM CLOSER

SET 10:
 DETEX V40 EXIT DEVICE WITH ALARM
 SECURITECH ELECTRIFIED TRIM HANDLE
 NORTON 7500 PARALLEL ARM CLOSER

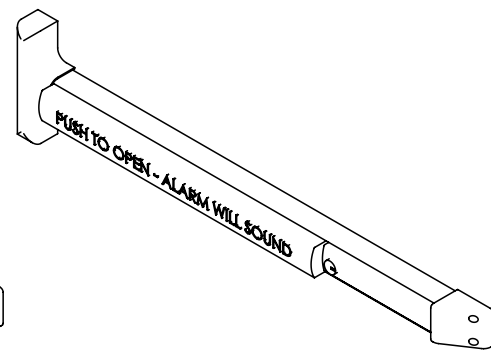
SET 11:
 DETEX V40 EXIT DEVICE WITH ALARM
 ROCKWOOD VRT16 PULL HANDLE
 NORTON 7500 PARALLEL ARM CLOSER

SET 12:
 DETEX A40 (3 AMP REQUEST TO EXIT SWITCH) EXIT DEVICE
 SECURITECH TRIM HANDLE
 NORTON 7500 PARALLEL ARM CLOSER

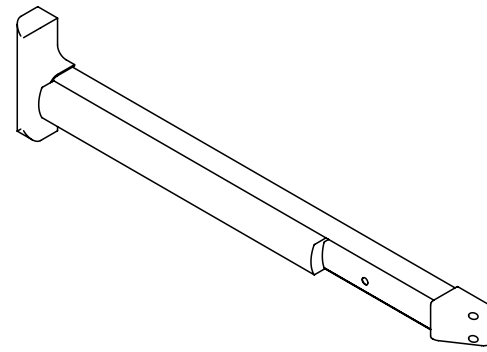
DETEX V40 SERIES EXIT DEVICE



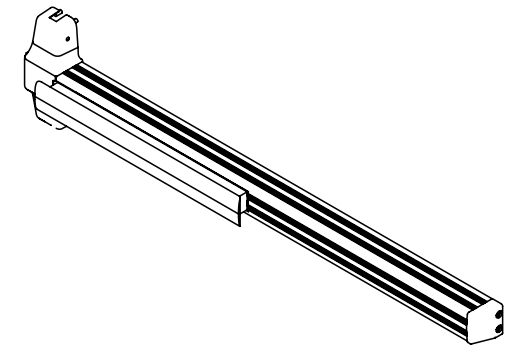
DETEX V40 SERIES EXIT DEVICE WITH ALARM



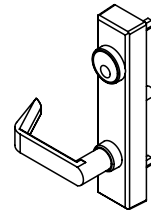
DETEX A40 (3 AMP REQUEST TO EXIT SWITCH) EXIT DEVICE



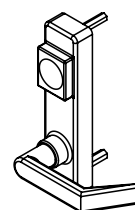
VON DUPRIN 99 SERIES EXIT DEVICE



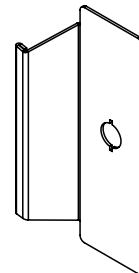
SECURITECH TRIM HANDLE



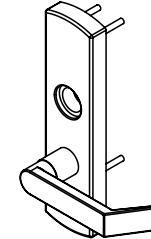
DETEX TRIM HANDLE



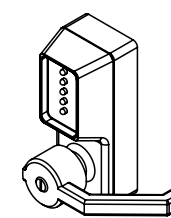
ROCKWOOD PULL HANDLE



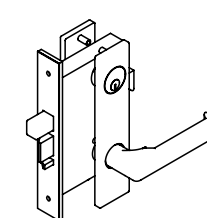
VON DUPRIN 996/ E996L TRIM HANDLE



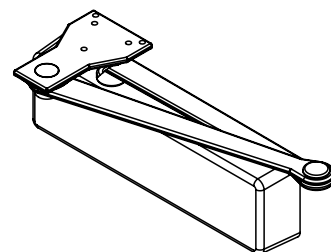
SIMPLEX PULL HANDLE



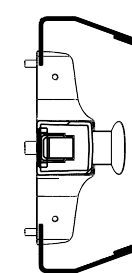
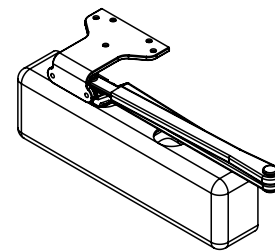
SARGENT 8200 MORTISE LOCK



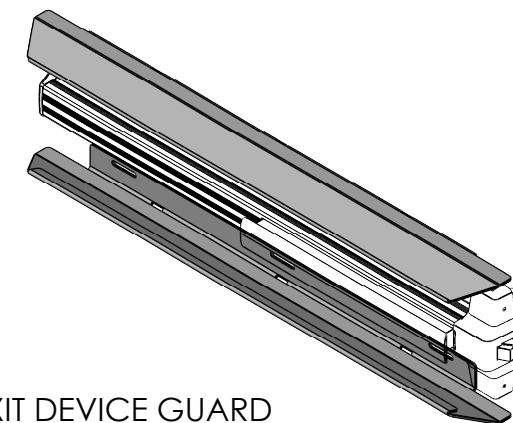
NORTON 7500 PARALLEL ARM CLOSER



LCN 4040XPSRI PARALLEL ARM CLOSER



EXIT DEVICE GUARD
 P/N: PHEG42



NOTICE TO PERSONS RECEIVING THIS DRAWING AND/OR TECHNICAL INFORMATION
 Ameristar Perimeter Security USA Inc claims proprietary rights to the material disclosed hereon. This drawing and/or technical information is issued in confidence for engineering information only and may not be reproduced or used to manufacture anything shown or referred to hereon without direct written permission from Ameristar Perimeter Security USA Inc to the user. This drawing and/or technical information is the property of Ameristar Perimeter Security USA Inc and is loaned for mutual assistance to be returned when its purpose has been served.

UNLESS OTHERWISE SPECIFIED TOLERANCES
 X.X ±.06
 X.XX ±.03
 X.XXX ±.02
 ANGLES ±0.5°
 FRACTIONS ± 1/8
 SURFACE FINISH 63/

ASSA ABLOY
 Ameristar Perimeter Security USA Inc
 Tulsa

DRAWING COMPLIES WITH
 ASME Y14.5M - 1994
 INCH
 MM
 THIRD ANGLE PROJECTION

MATERIAL
 Material <not specified>
 HEAT TREATMENT

SURFACE/FINISH

MATRIX ALPHA EXODUS GATE		
DATE CREATED 12/6/2019	DRAWN BY nathan	DESIGNED BY nathan
DOCUMENT ID	SCALE 1:18	SIZE B
DRAWING NUMBER (ALT ID) MATRIX ALPHA EXODUS GATE		