

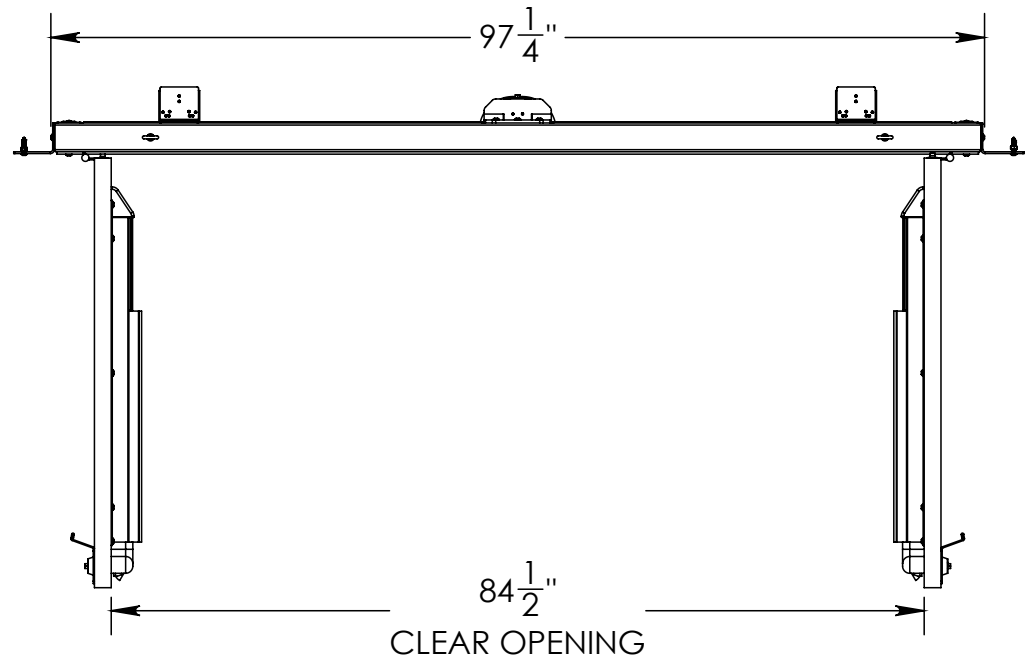
REV	DESCRIPTION	DATE	ENGINEER
-----	-------------	------	----------

D

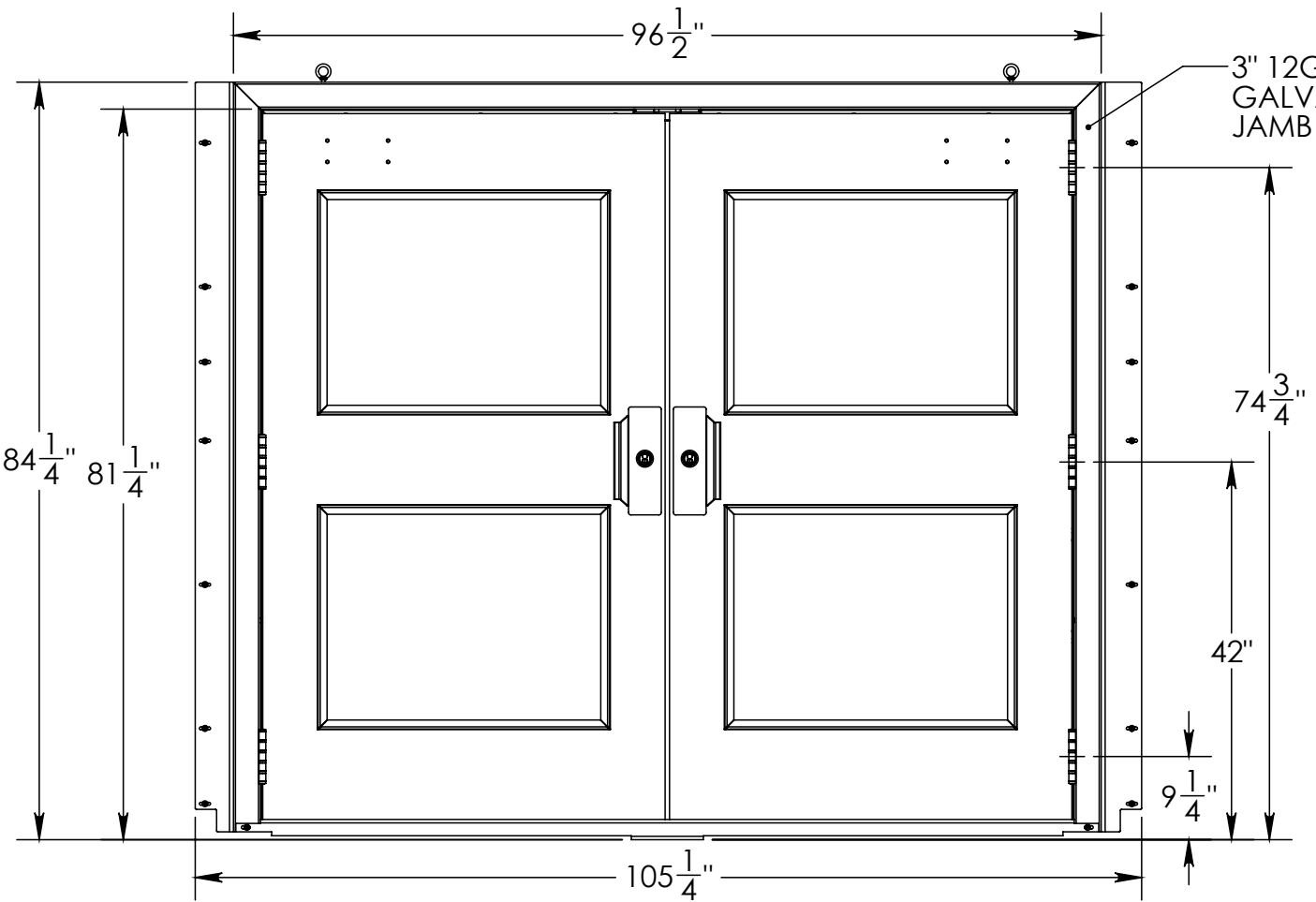
C

B

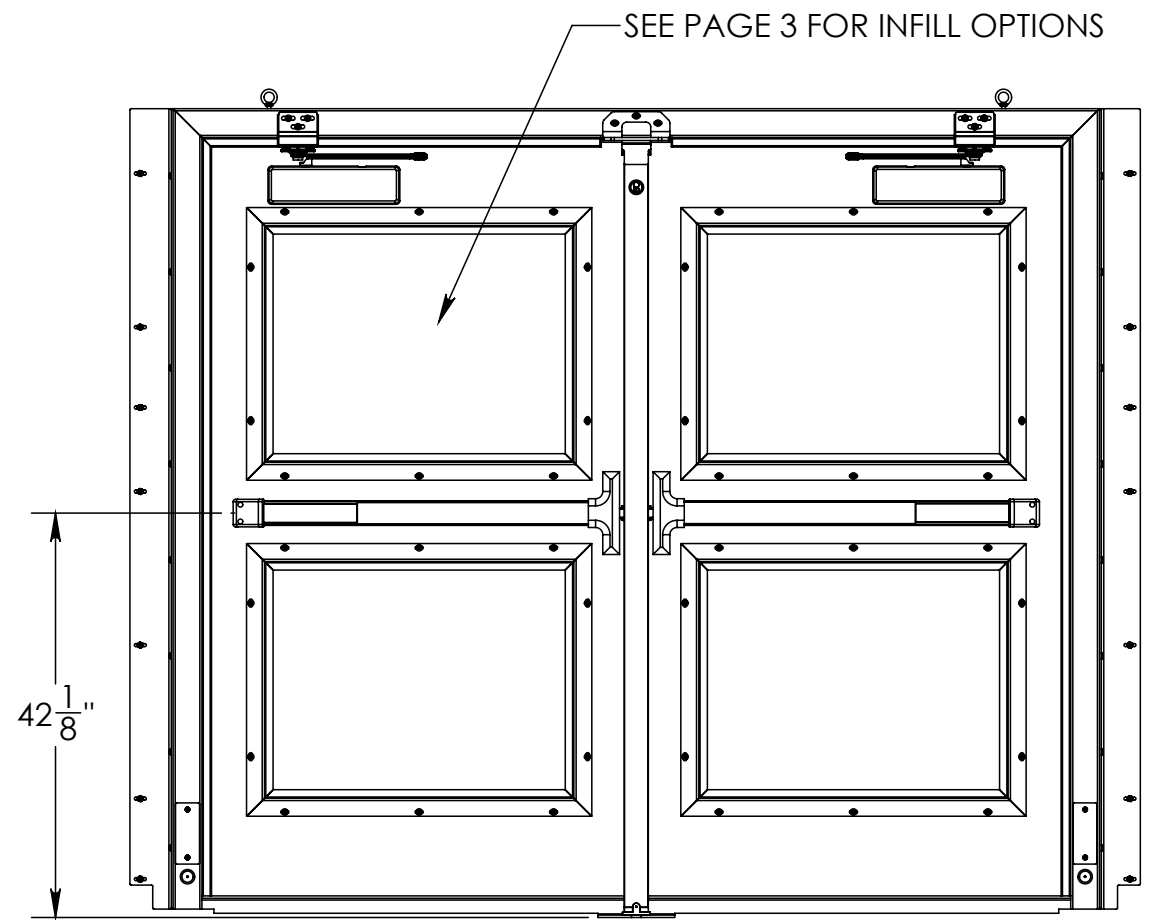
A



84 1/2"
CLEAR OPENING



THREAT SIDE



SECURE SIDE

- GATE SHOWN:**
- 3" 12GA GALVANIZED JAMB (STANDARD)
 - 1-3/4" 14GA GALVANIZED GATE (STANDARD)
 - ROCKWOOD PULL HANDLE (x2)
 - DETEX V40 SERIES EXIT DEVICE (x2)
 - NORTON 7500 PARALLEL ARM CLOSER (x2)
 - SARGENT L980A LOCKABLE MULLION (STANDARD)
 - HEAVY DUTY MCKINNEY HINGE (x6) (STANDARD)

NOTICE TO PERSONS RECEIVING THIS DRAWING AND/OR TECHNICAL INFORMATION
 Ameristar Perimeter Security USA Inc claims proprietary rights to the material disclosed herein. This drawing and/or technical information is issued in confidence for engineering information only and may not be reproduced or used to manufacture anything shown or referred to herein without direct written permission from Ameristar Perimeter Security USA Inc to the user. This drawing and/or technical information is the property of Ameristar Perimeter Security USA Inc and is loaned for mutual assistance to be returned when its purpose has been served.

UNLESS OTHERWISE SPECIFIED TOLERANCES X.X ±.06 X.XX ±.03 X.XXX ±.02 ANGLES ±0.5° FRACTIONS ± 1/8 SURFACE FINISH 63/	DRAWING COMPLIES WITH ASME Y14.5M - 1994
	INCH MM
	THIRD ANGLE PROJECTION
ASSA ABLOY Ameristar Perimeter Security USA Inc Tulsa	

CONFIGURATION Default	LEGACY ID
-----------------------	-----------

EXODUS DUAL GATE		
DATE CREATED 5/22/2018	DRAWN BY nathan	DESIGNED BY nathan
SCALE 1:20	SIZE B	

HARDWARE OPTIONS:

SET 1:
 DETEX V40 EXIT DEVICE
 SECURITECH ELECTRIFIED TRIM HANDLE
 NORTON 7500 PARALLEL ARM CLOSER

SET 2:
 DETEX V40 EXIT DEVICE
 DETEX NARROW STYLE TRIM HANDLE
 NORTON 7500 PARALLEL ARM CLOSER

SET 3:
 DETEX V40 EXIT DEVICE
 ROCKWOOD VRT16 PULL HANDLE
 NORTON 7500 PARALLEL ARM CLOSER
 FOR ELECTRIC LATCH RETRACTION
 ADD "EL", EXAMPLE: 3EL

SET 4:
 VON DUPRIN 99 SERIES EXIT DEVICE
 ROCKWOOD VRT16 PULL HANDLE
 LCN 4040XPSRI PARALLEL ARM CLOSER
 FOR CALIFORNIA BUILDING CODES (CBC)
 ADD "C", EXAMPLE: 4C
 FOR QUIET ELECTRIC RETRACTION
 ADD "EL", EXAMPLE: 4EL, 4CEL

SET 5:
 VON DUPRIN 99 SERIES EXIT DEVICE
 VON DUPRIN 996 TRIM HANDLE
 LCN 4040XPSRI PARALLEL ARM CLOSER
 FOR CALIFORNIA BUILDING CODES (CBC)
 ADD "C", EXAMPLE: 5C

SET 6:
 VON DUPRIN 99 SERIES EXIT DEVICE
 VON DUPRIN E996L ELECTRIFIED TRIM HANDLE
 LCN 4040XPSRI PARALLEL ARM CLOSER
 FOR CALIFORNIA BUILDING CODES (CBC)
 ADD "C", EXAMPLE: 6C
 FOR MICRO SWITCH, ADD "RX", EXAMPLE "6RX"

SET 7:
 DETEX V40 EXIT DEVICE
 SIMPLEX DIGITAL LOCK WITH TRIM HANDLE
 NORTON 7500 PARALLEL ARM CLOSER

SET 7V:
 VON DUPRIN 99 SERIES EXIT DEVICE
 SIMPLEX DIGITAL LOCK WITH TRIM HANDLE
 LCN 4040XPSRI PARALLEL ARM CLOSER
 FOR ELECTRIFIED MORISE, ADD "E", EXAMPLE "8E"

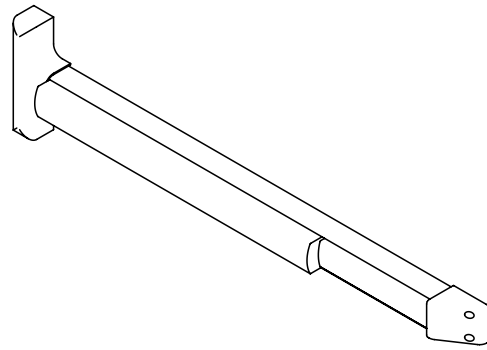
SET 9:
 DETEX V40 EXIT DEVICE WITH ALARM
 DETEX NARROW STYLE TRIM HANDLE
 NORTON 7500 PARALLEL ARM CLOSER

SET 10:
 DETEX V40 EXIT DEVICE WITH ALARM
 SECURITECH ELECTRIFIED TRIM HANDLE
 NORTON 7500 PARALLEL ARM CLOSER

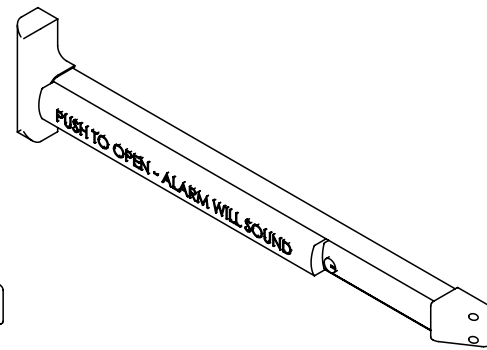
SET 11:
 DETEX V40 EXIT DEVICE WITH ALARM
 ROCKWOOD VRT16 PULL HANDLE
 NORTON 7500 PARALLEL ARM CLOSER

SET 12:
 DETEX A40 (3 AMP REQUEST TO EXIT SWITCH) EXIT DEVICE
 SECURITECH ELECTRIC TRIM HANDLE
 NORTON 7500 PARALLEL ARM CLOSER

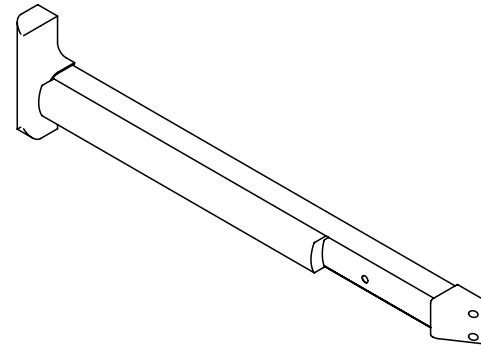
DETEX V40 SERIES EXIT DEVICE



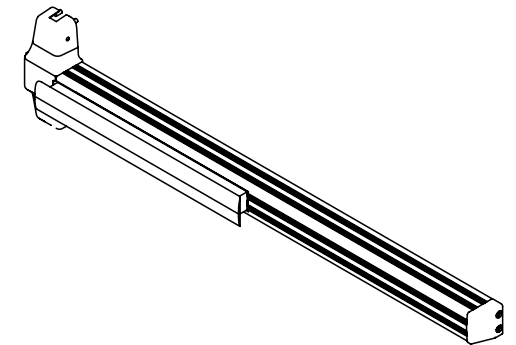
DETEX V40 SERIES EXIT DEVICE WITH ALARM



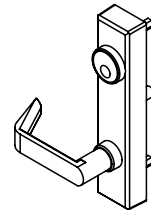
DETEX A40 (3 AMP REQUEST TO EXIT SWITCH) EXIT DEVICE



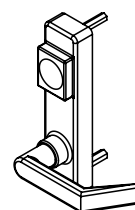
VON DUPRIN 99 SERIES EXIT DEVICE



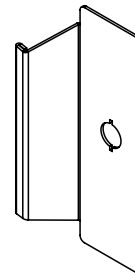
SECURITECH TRIM HANDLE



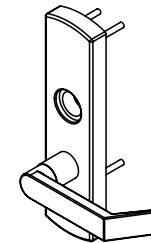
DETEX TRIM HANDLE



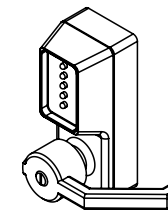
ROCKWOOD PULL HANDLE



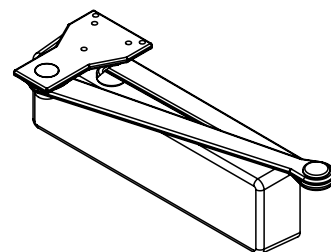
VON DUPRIN 996/ E996L TRIM HANDLE



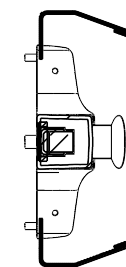
SIMPLEX PULL HANDLE



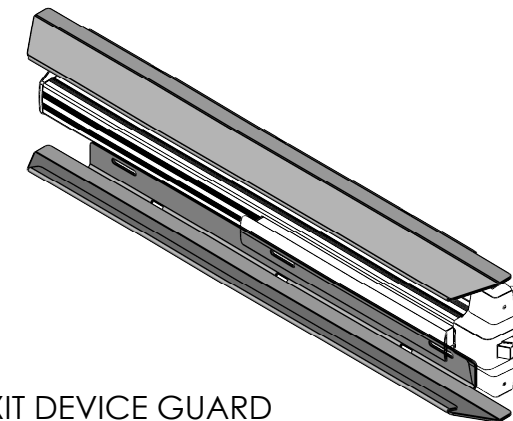
NORTON 7500 PARALLEL ARM CLOSER



LCN 4040XPSRI PARALLEL ARM CLOSER



EXIT DEVICE GUARD
 P/N: PHEG42



NOTICE TO PERSONS RECEIVING THIS DRAWING AND/OR TECHNICAL INFORMATION
 Ameristar Perimeter Security USA Inc claims proprietary rights to the material disclosed herein. This drawing and/or technical information is issued in confidence for engineering information only and may not be reproduced or used to manufacture anything shown or referred to herein without direct written permission from Ameristar Perimeter Security USA Inc to the user. This drawing and/or technical information is the property of Ameristar Perimeter Security USA Inc and is loaned for mutual assistance to be returned when its purpose has been served.

UNLESS OTHERWISE SPECIFIED TOLERANCES
 X.X ±.06
 X.XX ±.03
 X.XXX ±.02
 ANGLES ±0.5°
 FRACTIONS ± 1/8
 SURFACE FINISH 63

DRAWING COMPLIES WITH ASME Y14.5M - 1994

INCH
 MM

THIRD ANGLE PROJECTION

ASSA ABLOY

Ameristar Perimeter Security USA Inc
 Tulsa

EXODUS DUAL GATE

DATE CREATED
 5/22/2018

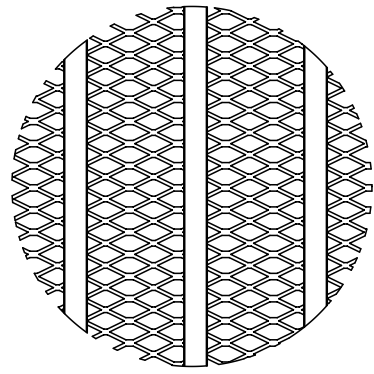
DRAWN BY
 nathan

DESIGNED BY
 nathan

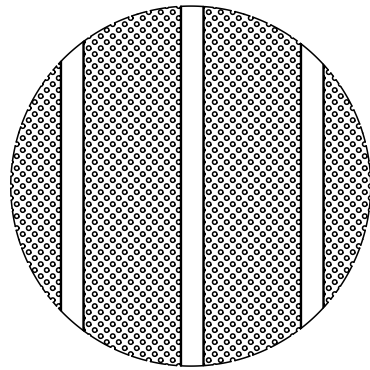
SCALE
 1:12

SIZE
 B

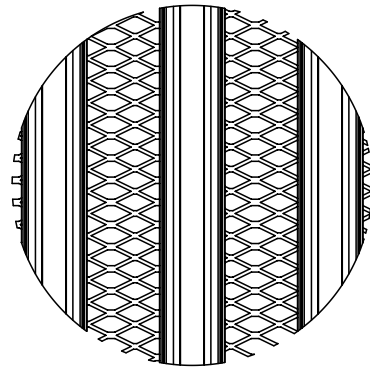
INFILL OPTIONS:



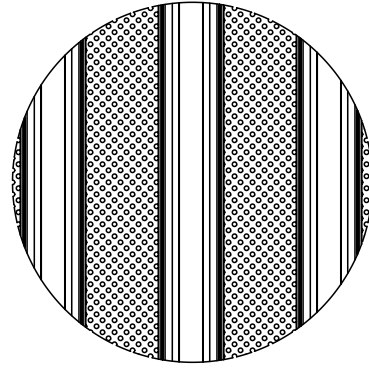
1" PICKET W/
3/4" #9 FLAT EXPANDED METAL



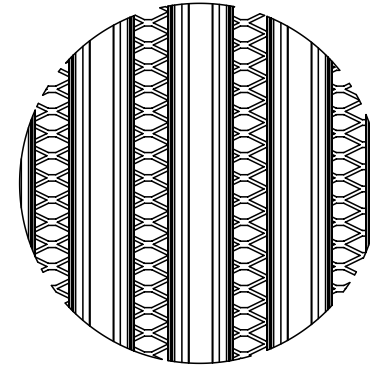
1" PICKET W/
3/16" RND X 1/2" 18 GA PERF



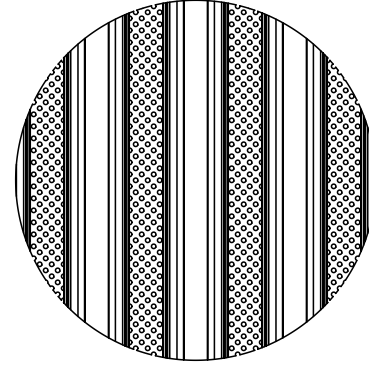
PALE W/
3/4" #9 FLAT EXPANDED METAL



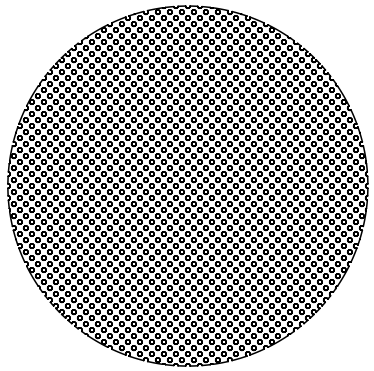
PALE W/
3/16" RND X 1/2" 18 GA PERF



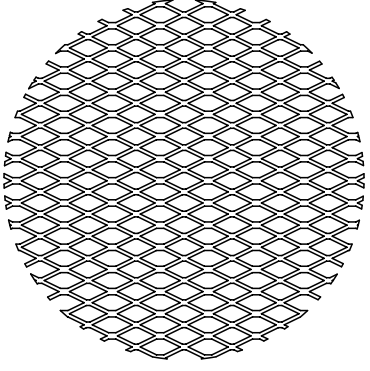
ANTI-CLIMB PALE W/
3/4" #9 FLAT EXPANDED METAL



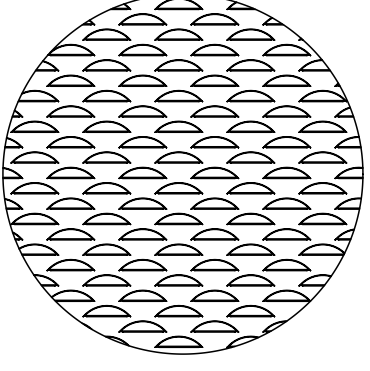
ANTI-CLIMB PALE W/
3/16" RND X 1/2" 18 GA PERF



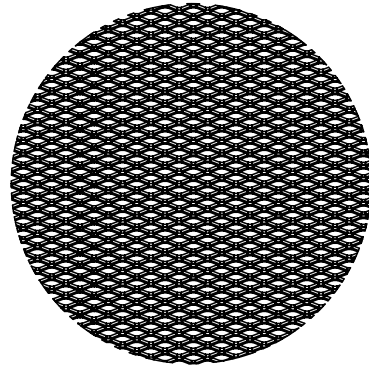
3/16" RND X 1/2" 18 GA PERF



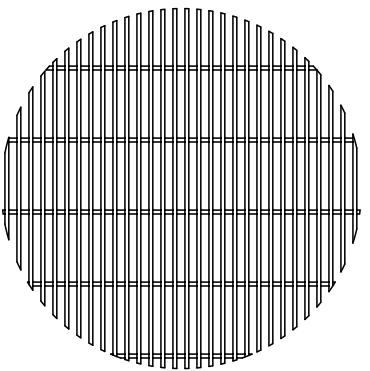
X-SPAN®
.75" x #9F



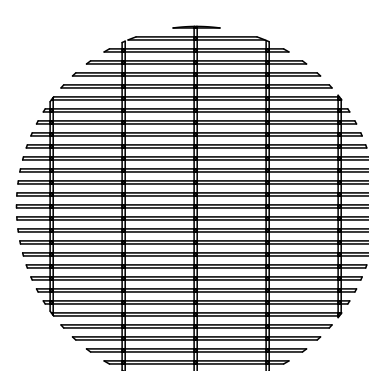
X-SCREEN®
1.5" x #14



X-SPAN® MODIFIED
.5" x #13R (.188 STRAND)



WIREWORKS®
.5" x 3" x 8ga & 6ga



WIREWORKS ANTI-CLIMB®
3" X .5" x 10.5ga

NOTICE TO PERSONS RECEIVING THIS DRAWING AND/OR TECHNICAL INFORMATION
Ameristar Perimeter Security USA Inc claims proprietary rights to the material disclosed hereon. This drawing and/or technical information is issued in confidence for engineering information only and may not be reproduced or used to manufacture anything shown or referred to hereon without direct written permission from Ameristar Perimeter Security USA Inc to the user. This drawing and/or technical information is the property of Ameristar Perimeter Security USA Inc and is loaned for mutual assistance to be returned when its purpose has been served.

UNLESS OTHERWISE SPECIFIED TOLERANCES
X.X ± .06
X.XX ± .03
X.XXX ± .02
ANGLES ± 0.5°
FRACTIONS ± 1/8
SURFACE FINISH 63

DRAWING COMPLIES WITH ASME Y14.5M - 1994

INCH
MM

THIRD ANGLE PROJECTION

ASSA ABLOY

Ameristar Perimeter Security USA Inc
Tulsa

EXODUS DUAL GATE

DATE CREATED
5/22/2018

DRAWN BY
nathan

DESIGNED BY
nathan

SCALE
1:25

SIZE
B