

# EXODUS

## PEDESTRIAN EGRESS GATES



TECHNICAL PRODUCT SUPPORT: 855-526-6847

**READ ALL AMERISTAR AND TORXUN INSTRUCTIONS BEFORE INSTALLING, OPERATING OR SERVICING**

**FOR MAIN POWER CONNECTION, REFER TO "TORXUN AUTOPED OPERATOR INSTALLATION MANUAL", SECTION VI (PAGE 29)**

**\*\*\*MAIN POWER TO BE CONNECTED BY A LICENSED ELECTRICIAN, 115 VAC POWER SOURCE\*\*\***

**ONLY USE WATER TIGHT CONDUIT CONNECTIONS**

**REFER TO TORXUN PROGRAMMING INSTRUCTIONS SECTION XI (PAGE 42) IN THE "TORXUN AUTOPED OPERATOR INSTALLATION MANUAL" FOR PROGRAMMING OPTIONS. MANY OPTIONS ARE SITE SPECIFIC, FOR THE AMERISTAR EXODUS AUTOMATIC RECOMMENDED SETTINGS, SEE PAGE 5 OF "EXODUS AUTOMATIC PEDESTRIAN GATE OPENER INSTALLATION"**

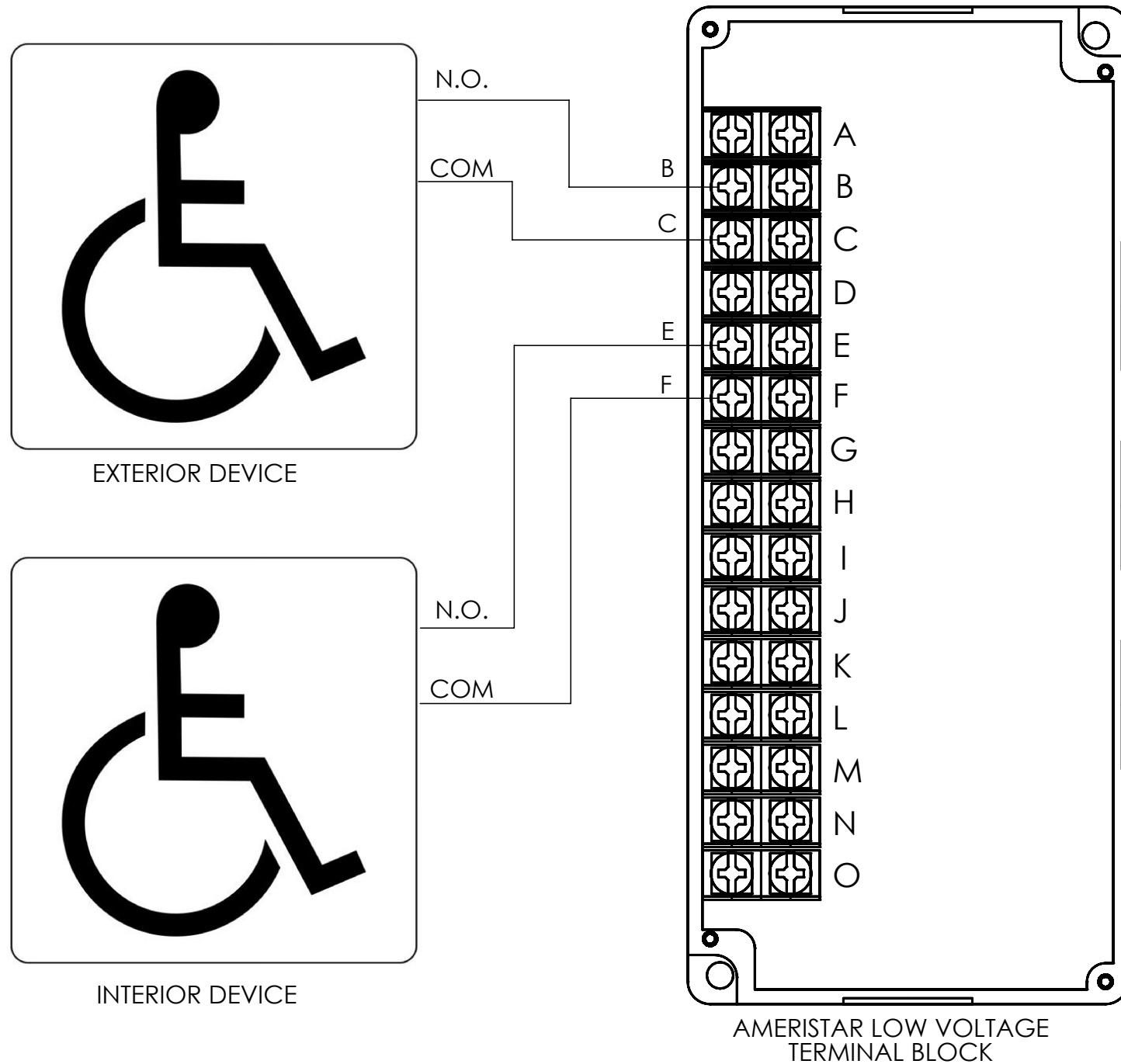
**WARNING: THIS OPENER IS TO ONLY BE OPERATED IN "LOW ENERGY", ANSI 156.19. IT IS THE RESPONSIBILITY OF THE INSTALLING PARTY TO ADHERE TO ANSI 156.19 STANDARDS AS WELL AS FEDERAL, STATE, AND LOCAL CODES.**

|   |  |   |   |                    |                       |
|---|--|---|---|--------------------|-----------------------|
| <p><b>NOTICE TO PERSONS RECEIVING THIS DRAWING AND/OR TECHNICAL INFORMATION</b><br/>claims proprietary rights to the material disclosed hereon. This drawing and/or technical information is issued in confidence for engineering information only and may not be reproduced or used to manufacture anything shown or referred to hereon without direct written permission from the user. This drawing and/or technical information is the property of and is loaned for mutual assistance to be returned when its purpose has been served.</p> | <p><b>UNLESS OTHERWISE SPECIFIED TOLERANCES</b><br/>X.X ± .06<br/>X.XX ± .03<br/>X.XXX ± .02<br/>ANGLES ± 0.5°<br/>FRACTIONS ± 1/8<br/>SURFACE FINISH <math>\sqrt{63}</math></p> | <p>DRAWING COMPLIES WITH<br/>ASME Y14.5M - 1994</p> <p>← INCH →<br/>MM</p> <p>THIRD ANGLE PROJECTION </p> | <b>EXODUS AUTOMATIC PEDESTRIAN GATE OPENER INSTALLATION</b> |                    |                       |
|   |  |   | DATE CREATED<br>9/23/2022                                   | DRAWN BY<br>nathan | DESIGNED BY<br>nathan |
| <b>ASSA ABLOY</b>   |  |   |   |                    |                       |

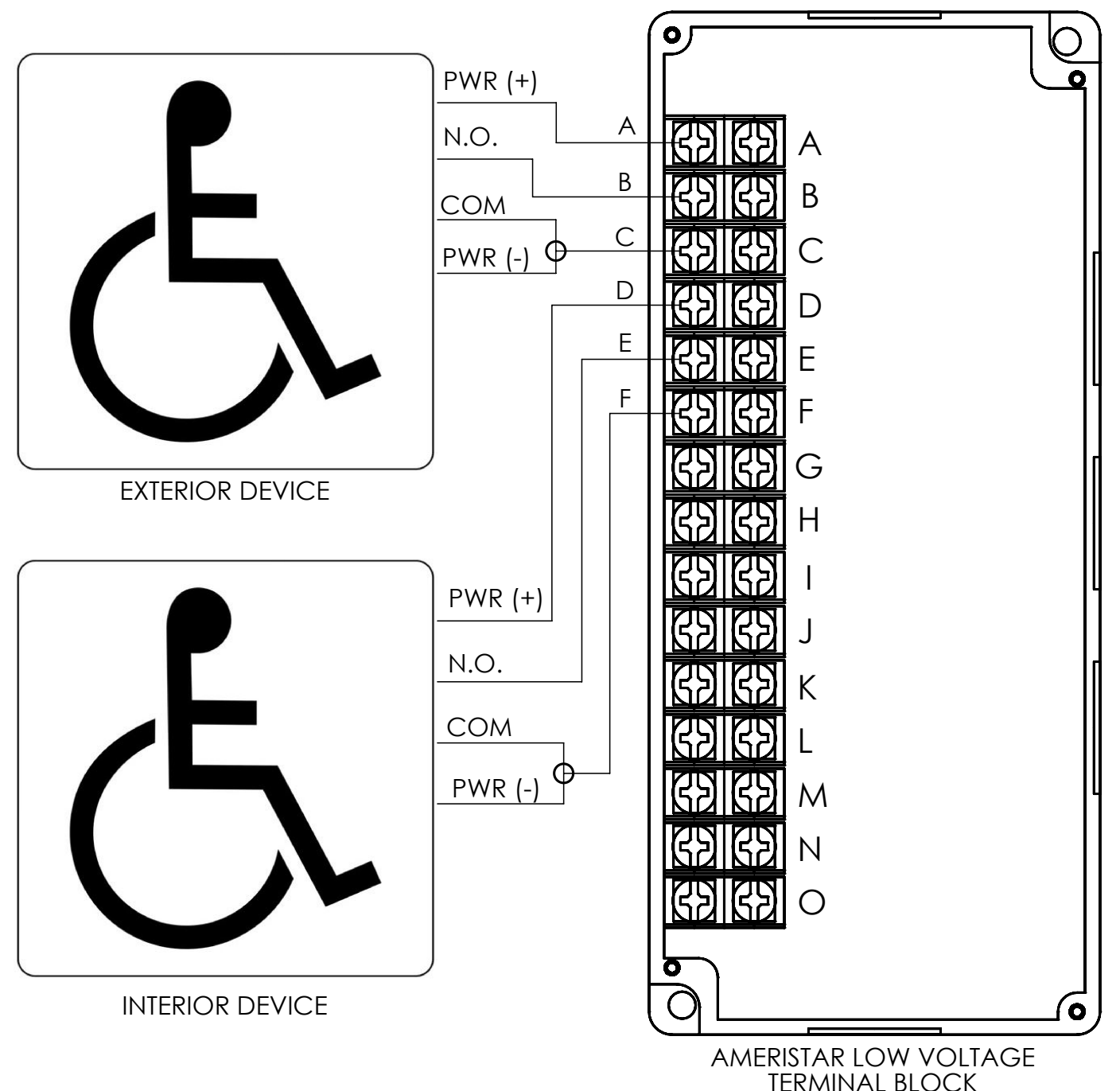
**WIRING SCHEMATIC DIAGRAMS**

**NOTE:** Do not exceed 2A 24V draw from the Board. TORXUN recommends one board powered accessory only. Others should be powered by independent power supplies.

NON-POWERED ACTIVATION DEVICES



POWERED ACTIVATION DEVICES



**NOTICE TO PERSONS RECEIVING THIS DRAWING AND/OR TECHNICAL INFORMATION**  
 Ameristar Perimeter Security USA Inc claims proprietary rights to the material disclosed hereon. This drawing and/or technical information is issued in confidence for engineering information only and may not be reproduced or used to manufacture anything shown or referred to hereon without direct written permission from Ameristar Perimeter Security USA Inc to the user. This drawing and/or technical information is the property of Ameristar Perimeter Security USA Inc and is loaned for mutual assistance to be returned when its purpose has been served.

**UNLESS OTHERWISE SPECIFIED TOLERANCES**

|                |        |
|----------------|--------|
| X.X            | ± .06  |
| X.XX           | ± .03  |
| X.XXX          | ± .02  |
| ANGLES         | ± 0.5° |
| FRACTIONS      | ± 1/8  |
| SURFACE FINISH | 63/√   |

**DRAWING COMPLIES WITH ASME Y14.5M - 1994**

|                        |
|------------------------|
| INCH                   |
| MM                     |
| THIRD ANGLE PROJECTION |

**ASSA ABLOY**  
 Ameristar Perimeter Security USA Inc  
 Tulsa

**EXODUS AUTOMATIC PEDESTRIAN GATE OPENER INSTALLATION**

|                           |                    |                       |
|---------------------------|--------------------|-----------------------|
| DATE CREATED<br>9/23/2022 | DRAWN BY<br>nathan | DESIGNED BY<br>nathan |
|---------------------------|--------------------|-----------------------|

|             |           |
|-------------|-----------|
| DOCUMENT ID | SIZE<br>B |
|-------------|-----------|

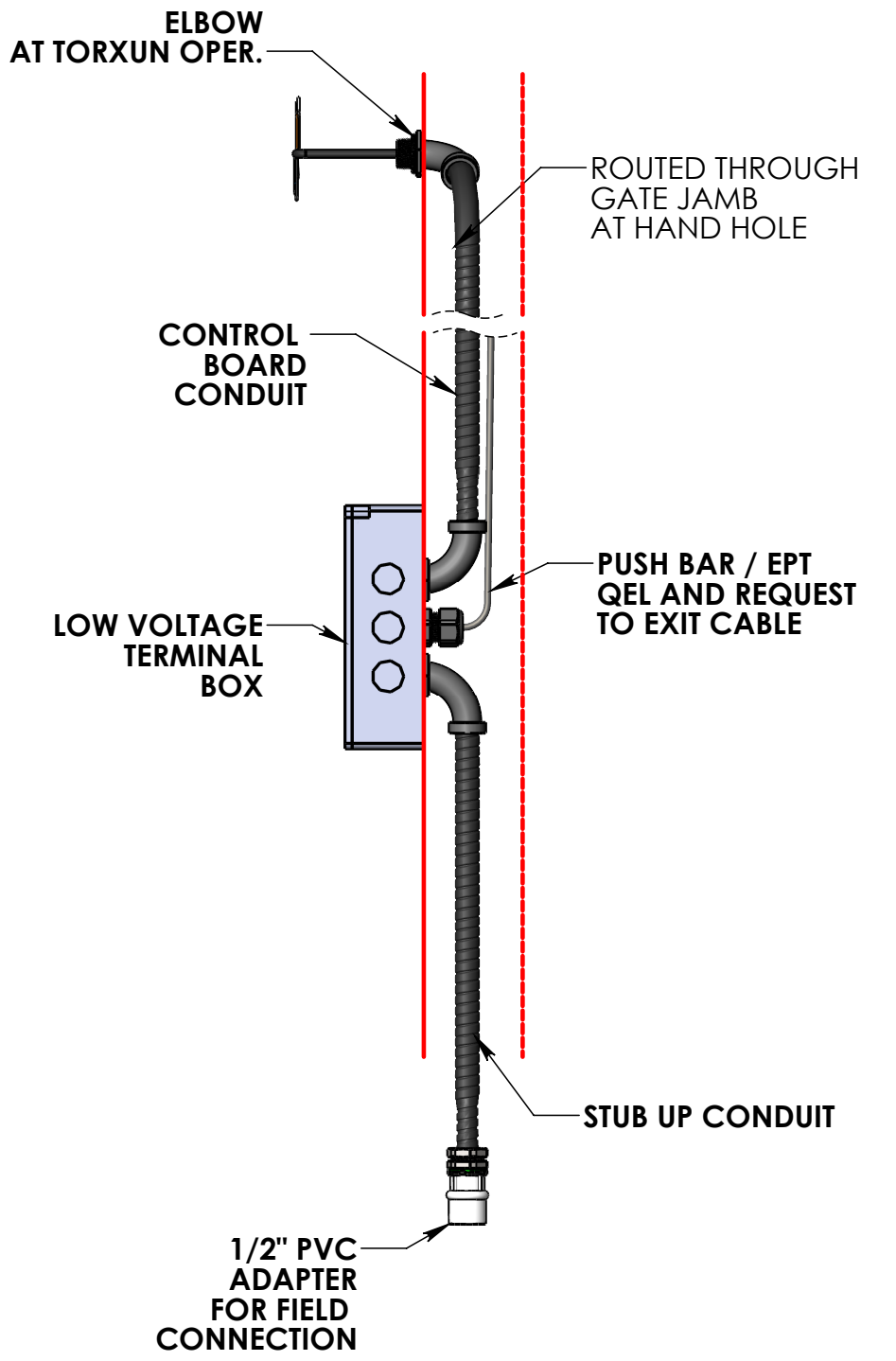
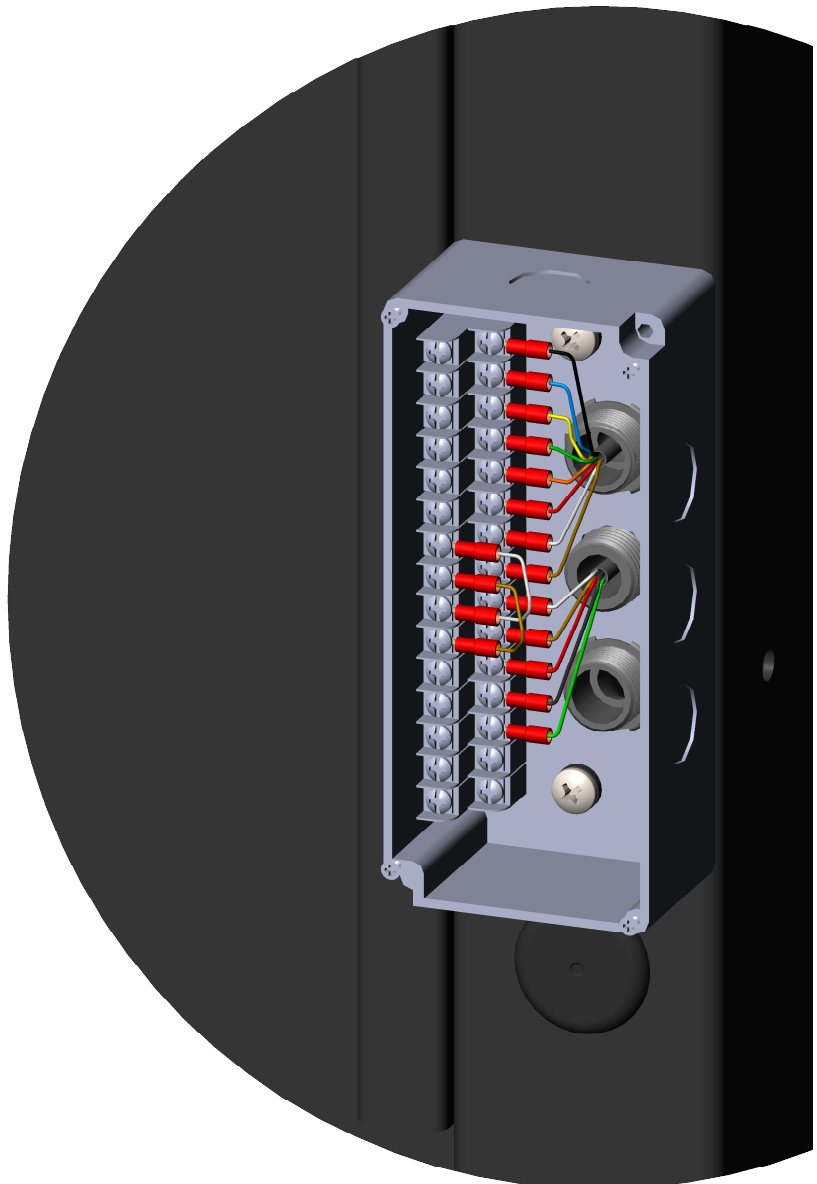
# COMPLETE WIRE HARNESS ASSEMBLY DETAIL REFERENCE

| 4CEL Terminal Block (Powered Activation Device) |   |        |                              |                  |                           |
|---|---|--------|------------------------------|------------------|---------------------------|
| Cable 1<br>(Torxun Oper.)                       | A | Black  | Torxun Board - X101 #8       | PWR (+)          | Powered Activation Device |
|   | B | Blue   | Torxun Board - X101 #9       | N.O.             | Powered Activation Device |
|   | C | Yellow | Torxun Board - X101 #10      | Common/PWR (-)   | Powered Activation Device |
|   | D | Green  | Torxun Board - X101 #11      | PWR (+)          | Powered Activation Device |
|   | E | Orange | Torxun Board - X101 #12      | N.O.             | Powered Activation Device |
|   | F | Red    | Torxun Board - X101 #13      | Common/PWR (-)   | Powered Activation Device |
|   | G | White  | Torxun Board - X108 #27      | Fail Secure Lock | Electric Strike           |
|   | H | Brown  | Torxun Board - X108 #30      | Fail Secure Lock | Electric Strike           |
| Cable 2<br>(Von Duprin 99)                      | I | White  | Quiet Elec. Latch Retraction | N.O.             | QEL                       |
|   | J | Brown  | Quiet Elec. Latch Retraction | Common           | QEL                       |
|   | K | Red    | Not used                     |                  | Not used                  |
|   | L | Black  | Not used                     |                  | Not used                  |
|   | M | Green  | Not used                     |                  | Not used                  |
|   | N | Blank  | -                            |                  |                           |
|   | O | Blank  | -                            |                  |                           |

| 4CEL Terminal Block (Non-Powered Activation Device) |   |        |                              |                  |                               |
|---|---|--------|------------------------------|------------------|-------------------------------|
| Cable 1<br>(Torxun Oper.)                           | A | Black  | Torxun Board - X101 #8       | Not used         |                               |
|   | B | Blue   | Torxun Board - X101 #9       | N.O.             | Non-Powered Activation Device |
|   | C | Yellow | Torxun Board - X101 #10      | Common           | Non-Powered Activation Device |
|   | D | Green  | Torxun Board - X101 #11      | Not used         |                               |
|   | E | Orange | Torxun Board - X101 #12      | N.O.             | Non-Powered Activation Device |
|   | F | Red    | Torxun Board - X101 #13      | Common           | Non-Powered Activation Device |
|   | G | White  | Torxun Board - X108 #27      | Fail Secure Lock | Electric Strike               |
|   | H | Brown  | Torxun Board - X108 #30      | Fail Secure Lock | Electric Strike               |
| Cable 2<br>(Von Duprin 99)                          | I | White  | Quiet Elec. Latch Retraction | N.O.             | QEL                           |
|   | J | Brown  | Quiet Elec. Latch Retraction | Common           | QEL                           |
|   | K | Red    | Not used                     |                  | Not used                      |
|   | L | Black  | Not used                     |                  | Not used                      |
|   | M | Green  | Not used                     |                  | Not used                      |
|   | N | Blank  | -                            |                  |                               |
|   | O | Blank  | -                            |                  |                               |

| 3EL Terminal Block (Power Activated Device) |   |        |                           |                  |                           |
|---|---|--------|---------------------------|------------------|---------------------------|
| Cable 1<br>(Torxun Oper.)                   | A | Black  | Torxun Board - X101 #8    | PWR (+)          | Powered Activation Device |
|   | B | Blue   | Torxun Board - X101 #9    | N.O.             | Powered Activation Device |
|   | C | Yellow | Torxun Board - X101 #10   | Common/PWR (-)   | Powered Activation Device |
|   | D | Green  | Torxun Board - X101 #11   | PWR (+)          | Powered Activation Device |
|   | E | Orange | Torxun Board - X101 #12   | N.O.             | Powered Activation Device |
|   | F | Red    | Torxun Board - X101 #13   | Common/PWR (-)   | Powered Activation Device |
|   | G | White  | Torxun Board - X108 #27   | Fail Secure Lock | Electric Strike           |
|   | H | Brown  | Torxun Board - X108 #30   | Fail Secure Lock | Electric Strike           |
| Cable 2<br>(Detex A40)                      | I | White  | Electric Latch Retraction | N.O.             | QEL                       |
|   | J | Brown  | Electric Latch Retraction | Common           | QEL                       |
|   | K | Red    | Detex Request to Exit     |                  | Request to Exit           |
|   | L | Black  | Detex Request to Exit     |                  | Request to Exit           |
|   | M | Green  | Detex Request to Exit     |                  | Request to Exit           |
|   | N | Blank  | -                         |                  |                           |
|   | O | Blank  | -                         |                  |                           |

| 3EL Terminal Block (Non-Powered Activation Device) |   |        |                           |                  |                               |
|--|---|--------|---------------------------|------------------|-------------------------------|
| Cable 1<br>(Torxun Oper.)                          | A | Black  | Torxun Board - X101 #8    | Not used         |                               |
|  | B | Blue   | Torxun Board - X101 #9    | N.O.             | Non-Powered Activation Device |
|  | C | Yellow | Torxun Board - X101 #10   | Common           | Non-Powered Activation Device |
|  | D | Green  | Torxun Board - X101 #11   | Not used         |                               |
|  | E | Orange | Torxun Board - X101 #12   | N.O.             | Non-Powered Activation Device |
|  | F | Red    | Torxun Board - X101 #13   | Common           | Non-Powered Activation Device |
|  | G | White  | Torxun Board - X108 #27   | Fail Secure Lock | Electric Strike               |
|  | H | Brown  | Torxun Board - X108 #30   | Fail Secure Lock | Electric Strike               |
| Cable 2<br>(Detex A40)                             | I | White  | Electric Latch Retraction | N.O.             | QEL                           |
|  | J | Brown  | Electric Latch Retraction | Common           | QEL                           |
|  | K | Red    | Detex Request to Exit     |                  | Request to Exit               |
|  | L | Black  | Detex Request to Exit     |                  | Request to Exit               |
|  | M | Green  | Detex Request to Exit     |                  | Request to Exit               |
|  | N | Blank  | -                         |                  |                               |
|  | O | Blank  | -                         |                  |                               |



**NOTICE TO PERSONS RECEIVING THIS DRAWING AND/OR TECHNICAL INFORMATION**  
 Ameristar Perimeter Security USA Inc claims proprietary rights to the material disclosed hereon. This drawing and/or technical information is issued in confidence for engineering information only and may not be reproduced or used to manufacture anything shown or referred to hereon without direct written permission from Ameristar Perimeter Security USA Inc to the user. This drawing and/or technical information is the property of Ameristar Perimeter Security USA Inc and is loaned for mutual assistance to be returned when its purpose has been served.

|  |   |
|--|---|
| UNLESS OTHERWISE SPECIFIED TOLERANCES<br>X.X ±.06<br>X.XX ±.03<br>X.XXX ±.02<br>ANGLES ±0.5°<br>FRACTIONS ± 1/8<br>SURFACE FINISH 63/√ | DRAWING COMPLIES WITH<br>ASME Y14.5M - 1994 |
|  | INCH  |
|  | MM  |
|  | THIRD ANGLE PROJECTION                      |

**ASSA ABLOY**  
 Ameristar Perimeter Security USA Inc  
 Tulsa

## EXODUS AUTOMATIC PEDESTRIAN GATE OPENER INSTALLATION

DATE CREATED 9/23/2022  
 DRAWN BY nathan  
 DESIGNED BY nathan

SIZE B



# COMPLETE WIRE HARNESS ASSEMBLY AT OPER. DETAIL REFERENCE

## WIRE COLOR DIAGRAM:

### ACTIVATION DEVICE TERMINAL BLOCK X101

| COLOR  | TERMINAL |
|--------|----------|
| BLACK  | 8        |
| BLUE   | 9        |
| YELLOW | 10       |
| GREEN  | 11       |
| ORANGE | 12       |
| RED    | 13       |

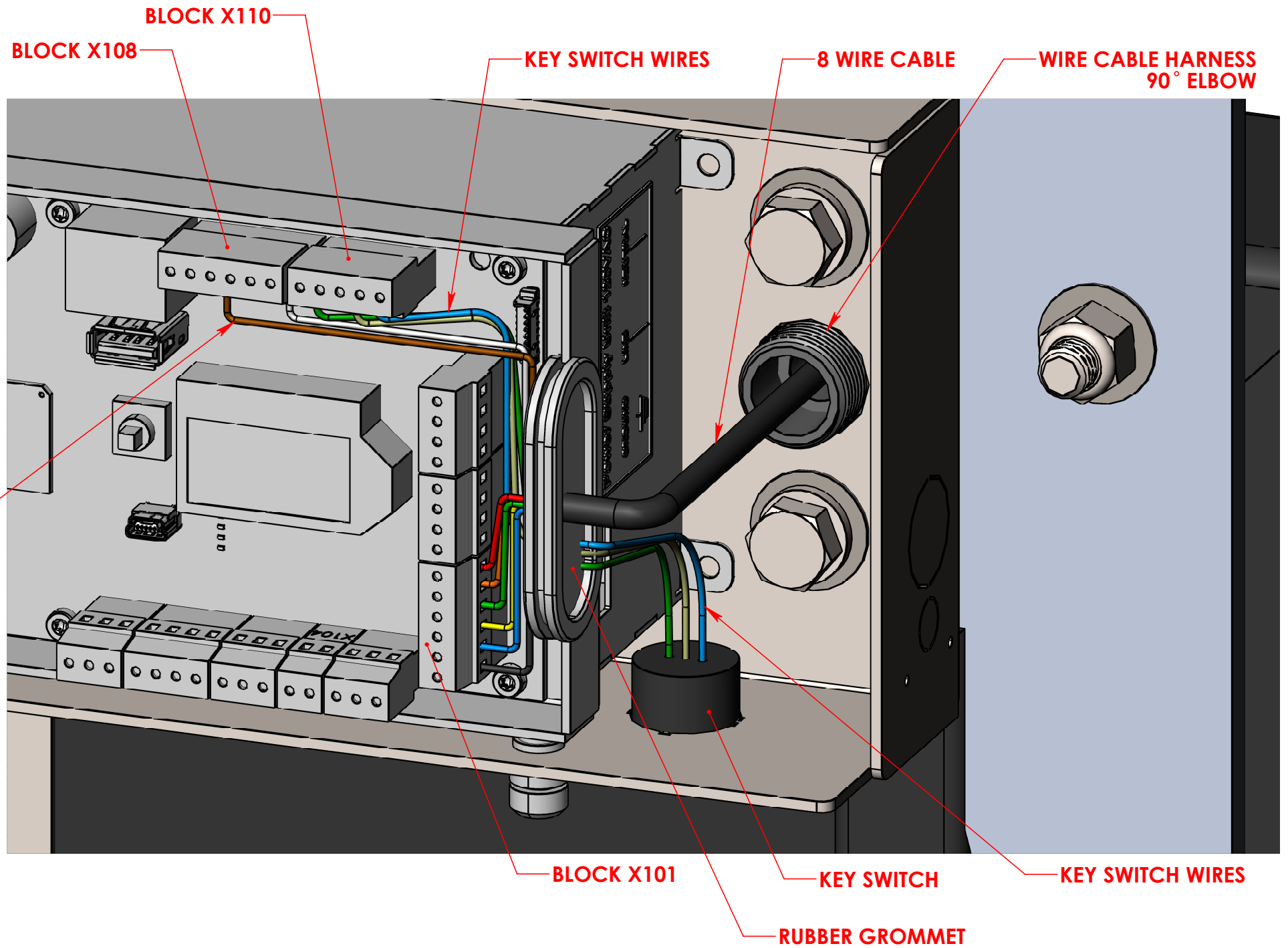
### ELEC. LATCH TERMINAL BLOCK X108

| COLOR | TERMINAL |
|-------|----------|
| WHITE | 27       |
| BROWN | 30       |

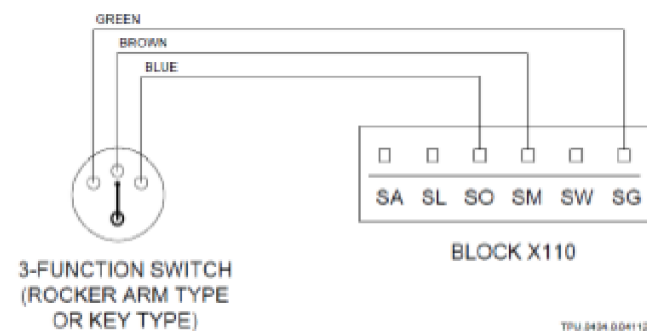
### KEY SWITCH BLOCK X110

| COLOR | TERMINAL |
|-------|----------|
| GREEN | SG       |
| BROWN | SM       |
| BLUE  | SO       |

FAIL SECURE LOCK/  
ELECTRIC STRIKE WIRES  
WHITE/BROWN  
(FROM 8 WIRE CABLE)



### KEY SWITCH WIRES DETAIL



**NOTICE TO PERSONS RECEIVING THIS DRAWING AND/OR TECHNICAL INFORMATION**  
Ameristar Perimeter Security USA Inc claims proprietary rights to the material disclosed hereon. This drawing and/or technical information is issued in confidence for engineering information only and may not be reproduced or used to manufacture anything shown or referred to hereon without direct written permission from Ameristar Perimeter Security USA Inc to the user. This drawing and/or technical information is the property of Ameristar Perimeter Security USA Inc and is loaned for mutual assistance to be returned when its purpose has been served.

UNLESS OTHERWISE SPECIFIED TOLERANCES  
X.X ±.06  
X.XX ±.03  
X.XXX ±.02  
ANGLES ±0.5°  
FRACTIONS ± 1/8  
SURFACE FINISH 63/

DRAWING COMPLIES WITH ASME Y14.5M - 1994

INCH  
MM

THIRD ANGLE PROJECTION

**ASSA ABLOY**  
Ameristar Perimeter Security USA Inc  
Tulsa

## EXODUS AUTOMATIC PEDESTRIAN GATE OPENER INSTALLATION

DATE CREATED  
9/23/2022

DRAWN BY  
nathan

DESIGNED BY  
nathan

SIZE  
B



# AMERISTAR EXODUS AUTOMATIC RECOMMENDED SETTINGS

AMERISTAR RECOMMENDS THE FOLLOWING SETTINGS TO OPERATE. SOME OPTIONS MAY CHANGE DUE TO SITE SPECIFIC REASONS. REFER TO THE TORXUN PROGRAMMING INSTRUCTIONS SECTION XI (PAGE 42) FOR DETAILED INFORMATION ON SPECIFIC SETTINGS. AMERISTAR ALSO RECOMMENDS A "TEACH" COMMAND AFTER ANY CHANGES ARE MADE TO THE PARAMETERS AND/OR CONFIGURATIONS.

CONTROL BOARD IS PASSWORD PROTECTED USING THE TOGGLE.

**PASSWORD:** LEFT, LEFT, LEFT, RIGHT, RIGHT, RIGHT

IN THE EVENT END USER CHANGES PASSWORD, END USER MUST KEEP RECORDS OF SUCH CHANGES.

**WARNING: THIS OPENER IS TO ONLY BE OPERATED IN "LOW ENERGY", ANSI 156.19. IT IS THE RESPONSIBILITY OF THE INSTALLING PARTY TO ADHERE TO ANSI 156.19 STANDARDS AS WELL AS FEDERAL, STATE, AND LOCAL CODES.**

## CONFIGURATION SETTINGS:

| Step | Device | SETTING  |
|------|--------|----------|
| 1    | APuGo  | 5        |
| 2    | ASES   | 95       |
| 3    | ASER   | 0        |
| 4    | SESClo | Inactive |
| 5    | EMY-In | CL-SPR   |
| 6    | OExSTp | Key      |
| 7    | Unlock | Impulse  |
| 8    | EL-Fb  | Off      |
| 9    | LCDir  | 1        |
| 10   | MovCon | Off      |
| 11   | OexMan | On       |
| 12   | PreSen | Off      |

## PARAMETER SETTINGS:

| Step | Device  | Setting |
|------|---------|---------|
| 1    | Region  | 5       |
| 2    | Vo      | 9       |
| 3    | Vc      | 9       |
| 4    | ToEx    | 5s      |
| 5    | TKey    | 5s      |
| 6    | TPugo   | 3       |
| 7    | TDelay  | 0.8     |
| 8    | FDelay  | Off     |
| 9    | TLock   | .5s     |
| 10   | FLock   | 2.0A    |
| 11   | FSlam   | 3       |
| 12   | FWind   | Off     |
| 13   | Fo      | 9       |
| 14   | Fc      | 9       |
| 15   | Foh     | 5       |
| 16   | Fch     | 0.0A    |
| 17   | LowEn   | On      |
| 18   | Width   | 45      |
| 19   | Weight  | 275     |
| 20   | Ao      | 115     |
| 21   | Rod     | STD-PH  |
| 22   | Inverse | Off     |
| 23   | dAxis   | 4"      |



|  |   |   |  |                 |                    |
|--|---|---|--|-----------------|--------------------|
| <p><b>NOTICE TO PERSONS RECEIVING THIS DRAWING AND/OR TECHNICAL INFORMATION</b><br/>claims proprietary rights to the material disclosed hereon. This drawing and/or technical information is issued in confidence for engineering information only and may not be reproduced or used to manufacture anything shown or referred to hereon without direct written permission from to the user. This drawing and/or technical information is the property of and is loaned for mutual assistance to be returned when its purpose has been served.</p> | <p><b>UNLESS OTHERWISE SPECIFIED TOLERANCES</b><br/>X.X ±.06<br/>X.XX ±.03<br/>X.XXX ±.02<br/>ANGLES ±0.5°<br/>FRACTIONS ± 1/8<br/>SURFACE FINISH 63/</p> | <p>DRAWING COMPLIES WITH ASME Y14.5M - 1994</p> <p>INCH</p> <p>MM</p> | <p><b>EXODUS AUTOMATIC PEDESTRIAN GATE OPENER INSTALLATION</b></p> |                 |                    |
|  |   | <p>THIRD ANGLE PROJECTION</p>   | <p>DATE CREATED 9/23/2022</p>                                      | <p>DRAWN BY</p> | <p>DESIGNED BY</p> |
| <p><b>ASSA ABLOY</b></p>   |   |   |  |                 |                    |